



**AIR OPERATED
DOUBLE
DIAPHRAGM
PUMPS**



ISO 9001: 2008
ISO 14001: 2004

pricepumps.co.in



**1" STAINLESS STEEL 316 PUMP
AOD 300 AF SSAA/TEF/TF/S/T**

pricepumps.co.in



AIR OPERATED DOUBLE DIAPHRAGM PUMPS



ISO 9001: 2008
ISO 14001: 2004

pricepumps.co.in

SECTION 1- LEGEND

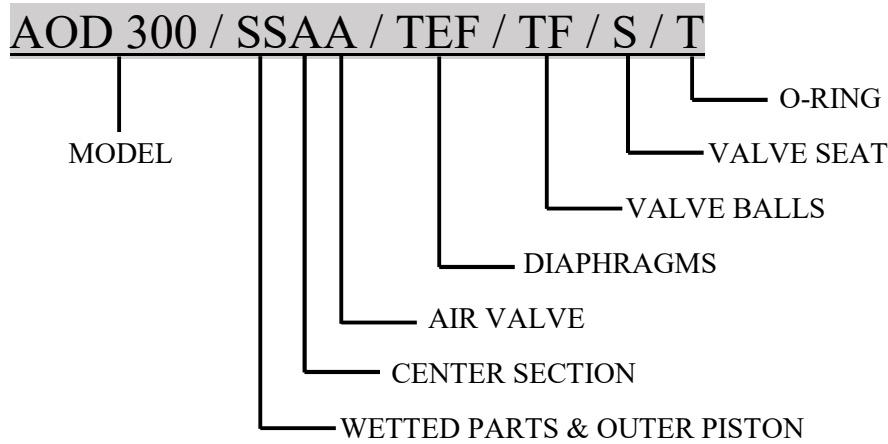
1" STAINLESS STEEL 316 PUMP

AOD 300/SSAA/TEF/TF/S/T

MODEL: AOD 300 AF STAINLESSS STEEL 316

25mm (1") Pump

Maximum Flow Rate: 133 Lpm (35 gpm)



MATERIAL CODES

MODEL
AOD 300 = 1" PUMP

AIR VALVE
A = ALUMINIUM

VALVE BALL
TF = TEFLON

WETTED PARTS & OUTER PISTON
SS = STAINLESS STEEL/
STAINLESS STEEL

DIAPHRAGMS
TEF = TEFLON

VALVE SEAT
S = STAINLESS STEEL

CENTER SECTION
A = ALUMINIUM

VALVE SEAT O-RING
T = TEFLON



SECTION 2 – SPARE PART LIST

1” STAINLESS STEEL 316 PUMP

AOD 300/SSAA/TEF/TF/S/T

SR No.	DISCRIPTION	PART No	QTY
1	LIQUID CHAMBER	30-1001-03	2
2	SUCTION/DISCHARGE MANIFOLD	30-1021-03	2
3	NRV BALL	30-1042-55	4
4	BALL SEAT	30-1075-03	4
5	SEAT O RING BIG	30-3101-55	4
6	HOLDING PLATE/ LOCK NUT	A30-1112-03	4
7	LOCK NUT (HEX BOLTS)	04-6043-03	2
8	LOCK NUT WASHER	04-6218-03	2
9	HOLDING PLATE/ LOCK NUT O RING	A30-0053-51	4
10	DIAPHRAGM	30-2001-55	2
11	BACKUP DIAPHRAGM	30-2102-58	2
12	CENTER BLOCK	A30-1301-01	1
13	SLEEVE	A30-0004-XX	1
14	SLEEVE O RING	A30-0005-51	2
15	SLEEVE RETAINING RING	A30-1584-61	2
16	MAIN SHAFT	A30-1341-03	1
17	MAIN SHAFT O RING	A30-0008-51	1
18	PILOT SHAFT	A30-1451-03	1
19	SPACER	A15-1491-01	3
20	SPACER O RING	A15-3176-56	4
21	PILOT SLEEVE BUSHING	A30-0012-07	2
22	PILOT SHAFT LOCK O RING	A30-3181-51	2



AIR OPERATED DOUBLE DIAPHRAGM PUMPS



ISO 9001: 2008
ISO 14001: 2004

pricepumps.co.in

SECTION 2 – SPARE PART LIST (CONTINUED...)

1” STAINLESS STEEL 316 PUMP

AOD 300/SSAA/TEF/TF/S/T

SR NO.	DISCRIPTION	PART NO.	QTY.
23	PISTON	A30-1525-01	1
24	PISTON SPACER	A30-1541-01	4
25	PISTON SPACER BIG	A30-1542-01	1
26	PISTON SPACER WASHER	A30-1543-01	5
27	PISTON SPACER O RING SMALL	A30-3212-51	5
28	PISTON SPACER O RING BIG	A30-3211-51	6
29	PISTON BLOCK O GASKET	A30-0020-51	1
30	PISTON BLOCK U GASKET	A30-0021-51	1
31	STAND	30-1390-61	2
32	PISTON BLOCK CAP	A30-1571-20	1
33	PISTON BLOCK CAP U CUP	A30-3266-51	1
34	M 8 X 45 MM SS STUD	04-6103-03	16
35	M 8 X 25 MM HEX BOLTS SS (SUC/DIS)	04-6045-03	8
36	M 8 X 3/4" SS STAND BOLTS	04-6053-03	8
37	SLEEVE BUSHING SCREW SS	A30-6322-03	4
38	FLANGE NUT SS M 8	04-6306-03	16
39	¼ X 12.5 X 1.2 MM SS WASHER (P B ALLEN BOLT)	04-6202-03	8
40	EXHAUST	A30-1366-61	1



AIR OPERATED DOUBLE DIAPHRAGM PUMPS



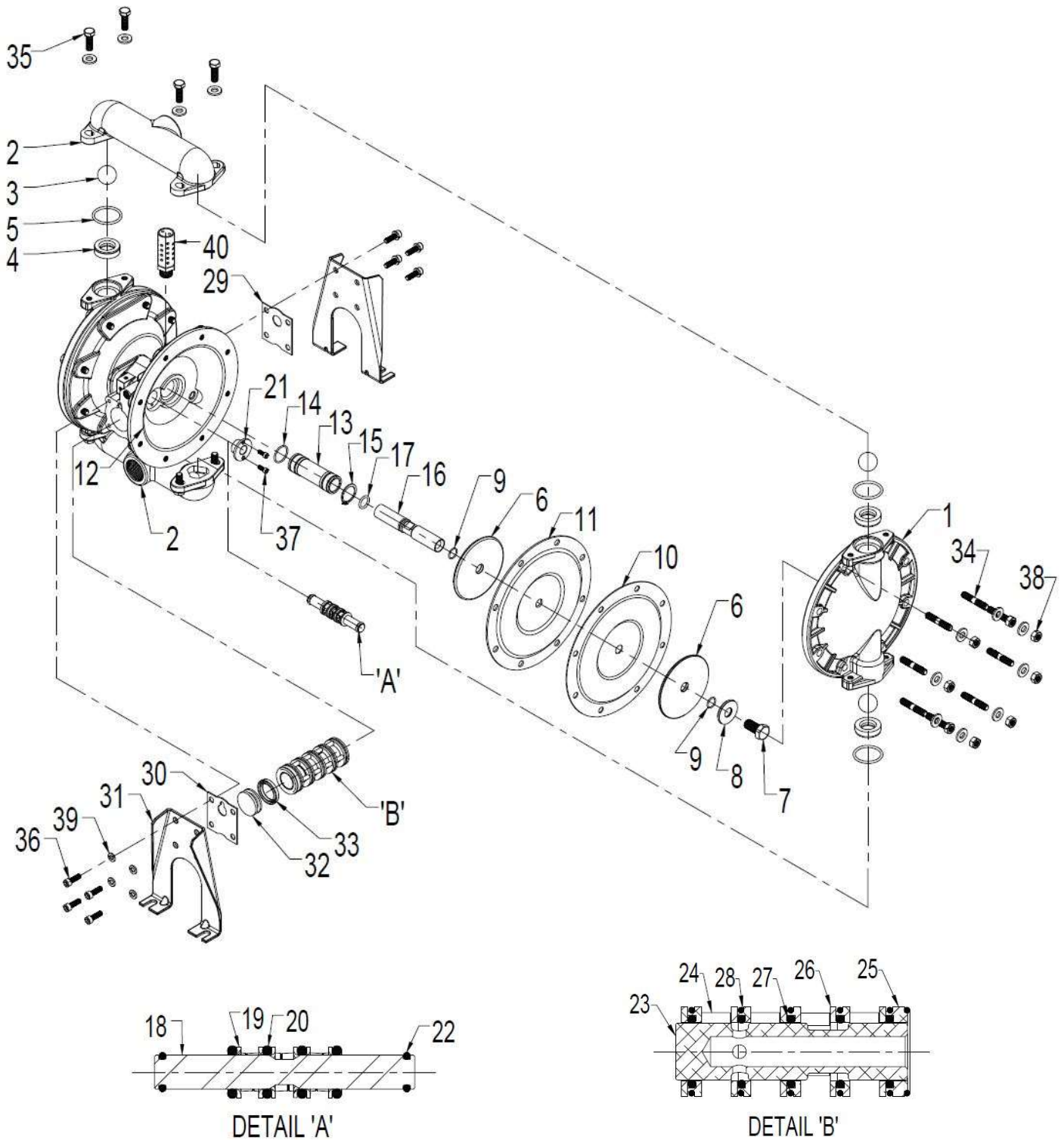
ISO 9001: 2008
ISO 14001: 2004

pricepumps.co.in

SECTION 3 – EXPLODED VIEW

1" STAINLESS STEEL 316 PUMP

AOD 300/SSAA/TEF/TF/S/T





AIR OPERATED DOUBLE DIAPHRAGM PUMPS



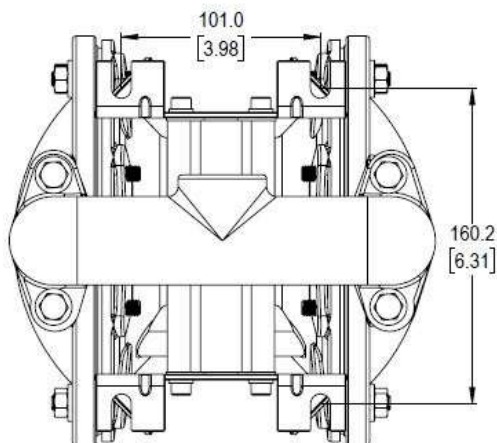
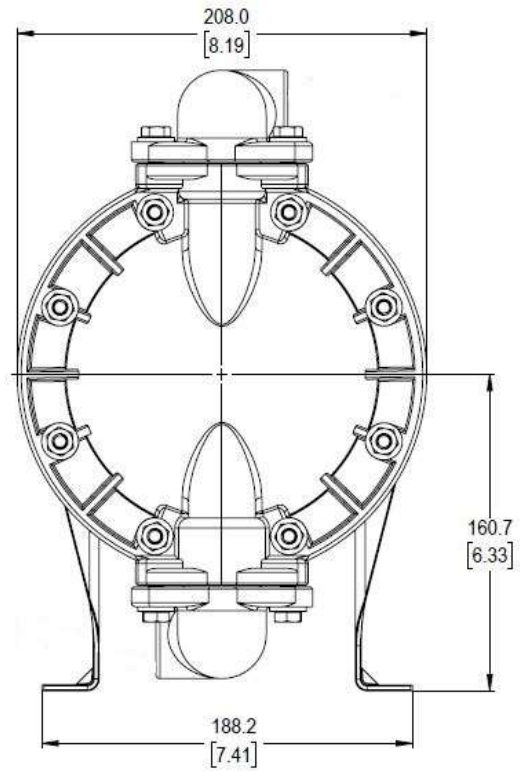
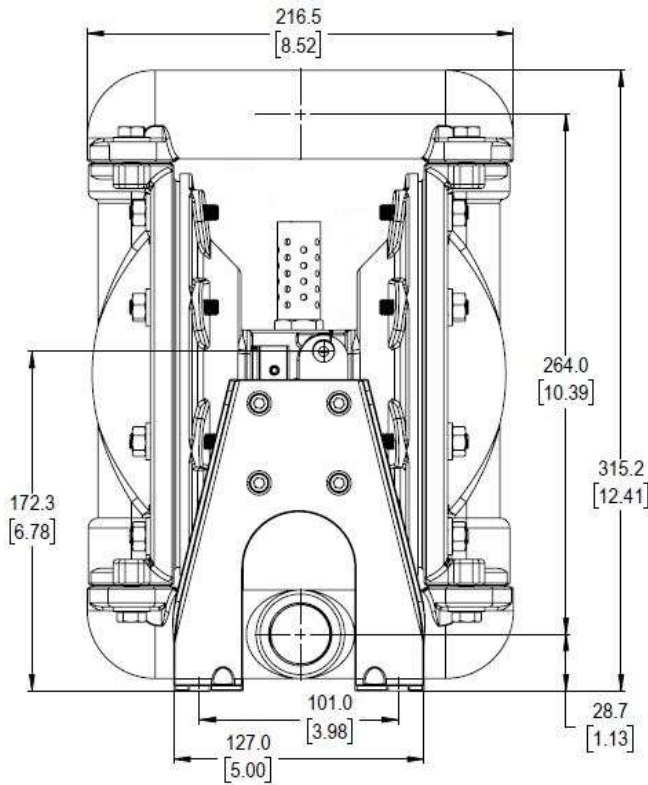
ISO 9001: 2008
ISO 14001: 2004

pricepumps.co.in

SECTION 4 – DIMENSIONAL DRAWING

1" STAINLESS STEEL 316 PUMP

AOD 300/SSAA/TEF/TF/S/T





AIR OPERATED DOUBLE DIAPHRAGM PUMPS



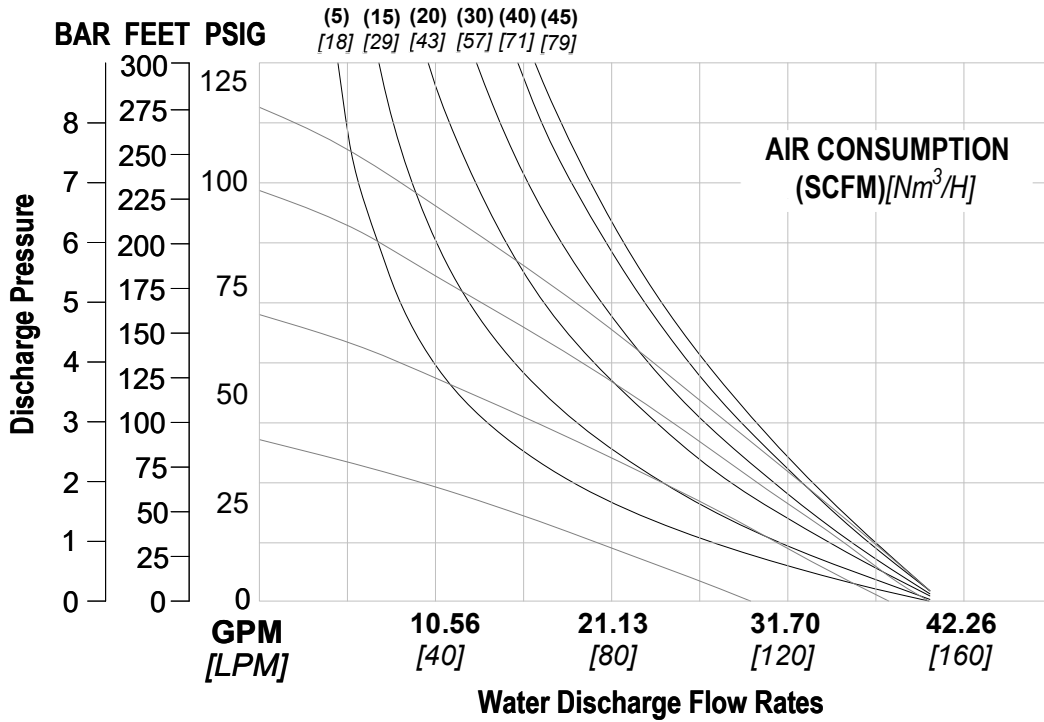
ISO 9001: 2008
ISO 14001: 2004

pricepumps.co.in

SECTION 5 – SPECIFICATION & PERFORMANCE

1" STAINLESS STEEL 316 PUMP

AOD 300/SSAA/TEF/TF/S/T



SPECIFICATIONS:

MAX FLOW RATE:	133 Lpm (35 gpm)
MAX AIR PRESSURE:	120 psi (8.3 bar)
AIR INLET:	6 mm (1/4" BSP)
PORT INLET:	25 mm (1" BSP)
DISCHARGE:	25 mm (1" BSP)
MAX PARTICLE SIZE:	(Dia) 3.2 mm (1/8")
AIR EXHAUST:	(3/8" BSP)

SHIPPING DIMENSIONS:

HEIGHT:	380 mm (14.96")
WIDTH:	230 mm (09.05")
LENGTH:	240 mm (09.45")
WEIGHT:	15 Kgs

Price Pumps meet ISO 9001-2015, ISO 14001 & CE quality standards.



**AIR OPERATED
DOUBLE
DIAPHRAGM
PUMPS**



ISO 9001: 2008
ISO 14001: 2004

pricepumps.co.in

NOTES: